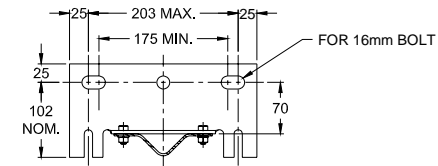
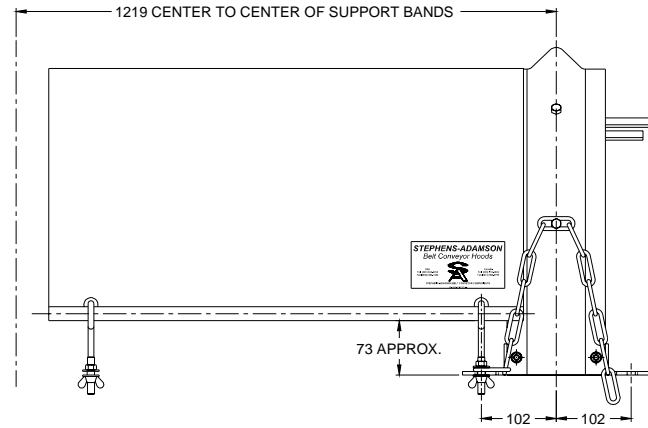
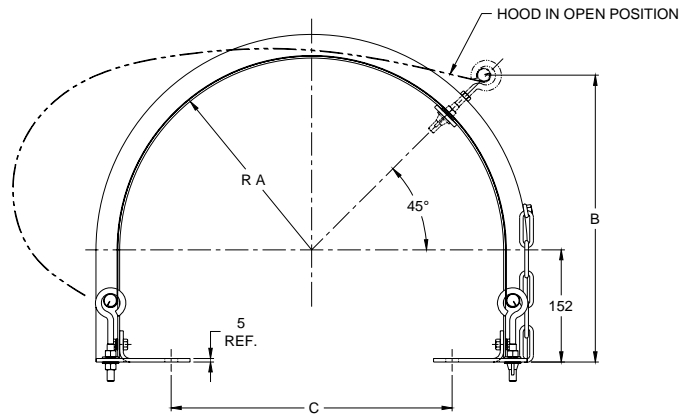


Covers standard CEMA B, C, & D troughing idlers .
Use A-63 Style to cover standard CEMA E troughing idlers.
Check clearances on self-training idlers and all other idlers
not to CEMA Standard 502-2004.

'Dimensions In Inches'

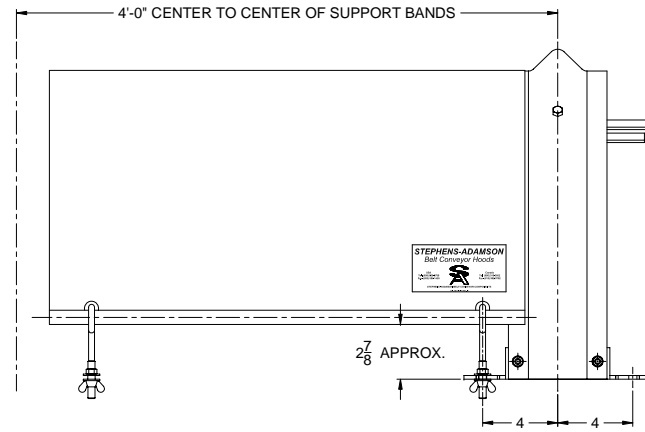
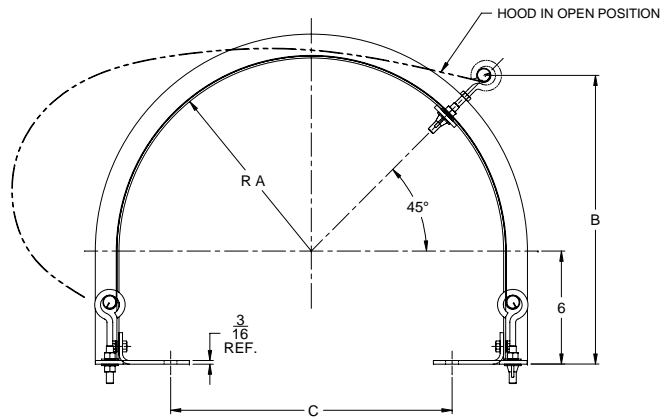
Belt Width	Part Number	A-1 Full Style Hood with Safety Chain Dimensions			Weight
		A	B	C	
18"	MP-HOD01-003-A	16-1/4	19-1/2	27	49 lbs.
20"	MP-HOD01-003-B	17-1/4	20-1/4	29	51 lbs.
24"	MP-HOD01-003-C	19-1/4	21-5/8	33	55 lbs.
30"	MP-HOD01-003-D	22-1/4	23-3/4	39	61 lbs.
36"	MP-HOD01-003-E	25-1/4	25-7/8	45	67 lbs.
42"	MP-HOD01-003-F	28-1/4	28	51	78 lbs.
48"	MP-HOD01-003-G	31-1/4	30-1/8	57	85 lbs.
54"	MP-HOD01-003-H	34-1/4	32-1/4	63	91 lbs.
60"	MP-HOD01-003-J	37-1/4	34-3/8	69	98 lbs.
72"	MP-HOD01-003-K	43-1/4	40-5/8	81	111 lbs.



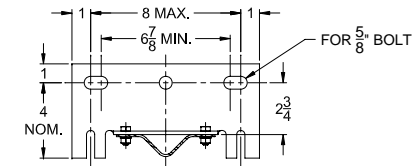
Covers standard CEMA B, C, & D troughing idlers .
Use A-63 Style to cover standard CEMA E troughing idlers.
Check clearances on self-training idlers and all other idlers not to CEMA Standard 502-2004.

'Dimensions in Millimeters'

Belt Width	Part Number	A-1 Full Style Hood with Safety Chain Dimensions			Weight
		A	B	C	
457 mm	MP-HOD01-003-A	413	495	686	22 kg.
508 mm	MP-HOD01-003-B	438	514	737	23 kg.
610 mm	MP-HOD01-003-C	489	549	838	25 kg.
762 mm	MP-HOD01-003-D	565	603	991	28 kg.
914 mm	MP-HOD01-003-E	641	657	1143	30 kg.
1067 mm	MP-HOD01-003-F	718	711	1295	36 kg.
1219 mm	MP-HOD01-003-G	794	765	1448	38 kg.
1372 mm	MP-HOD01-003-H	870	819	1600	41 kg.
1524 mm	MP-HOD01-003-J	946	873	1753	44 kg.
1829 mm	MP-HOD01-003-K	1099	1032	2057	50 kg.



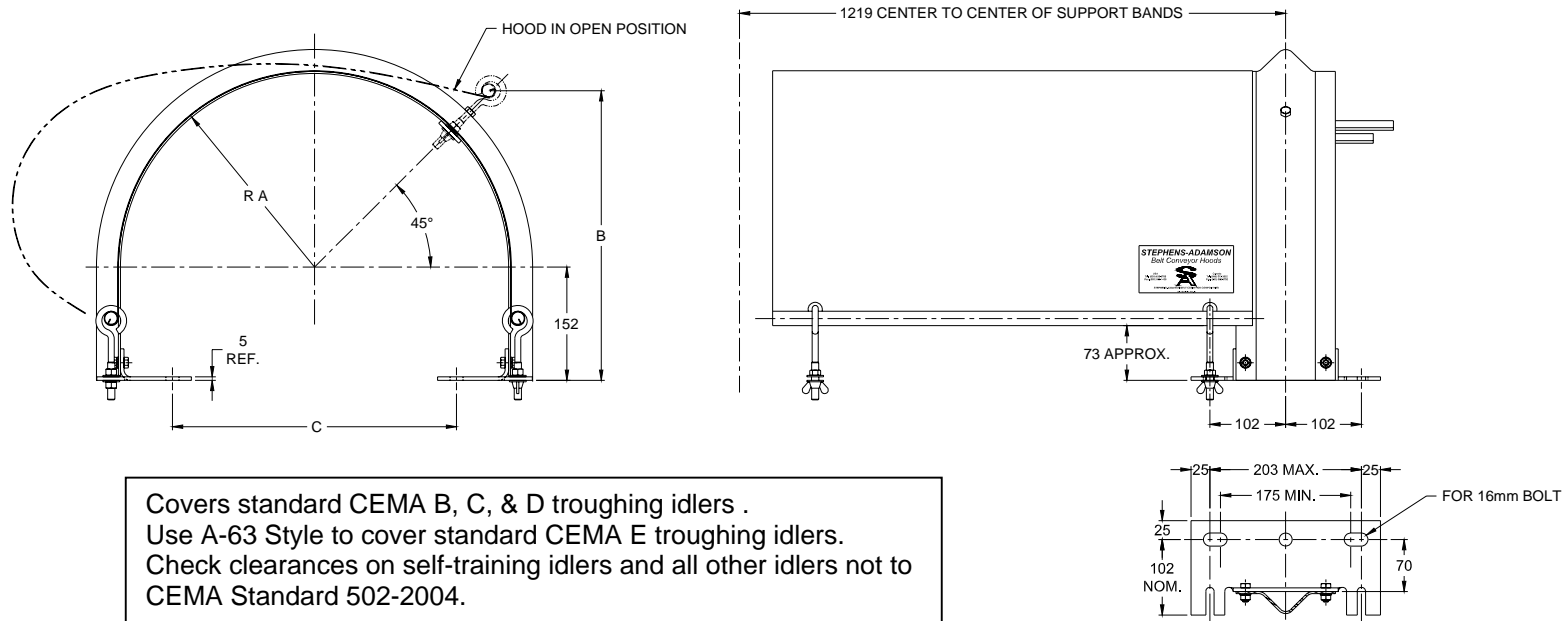
Covers standard CEMA B, C, & D troughing idlers .
Use A-63 Style to cover standard CEMA E troughing idlers.
Check clearances on self-training idlers and all other idlers not to CEMA Standard 502-2004.



'Dimensions In Inches'

Belt Width	Part Number	A-1 Full Style Hood Dimensions			Weight
		A	B	C	
18"	MP-HOD01-002-A	16-1/4	19-1/2	27	49 lbs.
20"	MP-HOD01-002-B	17-1/4	20-1/4	29	51 lbs.
24"	MP-HOD01-002-C	19-1/4	21-5/8	33	55 lbs.
30"	MP-HOD01-002-D	22-1/4	23-3/4	39	60 lbs.
36"	MP-HOD01-002-E	25-1/4	25-7/8	45	66 lbs.
42"	MP-HOD01-002-F	28-1/4	28	51	78 lbs.
48"	MP-HOD01-002-G	31-1/4	30-1/8	57	84 lbs.
54"	MP-HOD01-002-H	34-1/4	32-1/4	63	90 lbs.
60"	MP-HOD01-002-J	37-1/4	34-3/8	69	97 lbs.
72"	MP-HOD01-002-K	43-1/4	40-5/8	81	109 lbs.

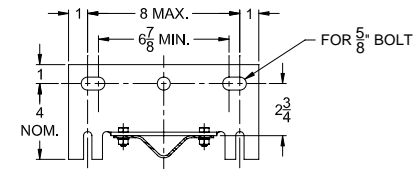
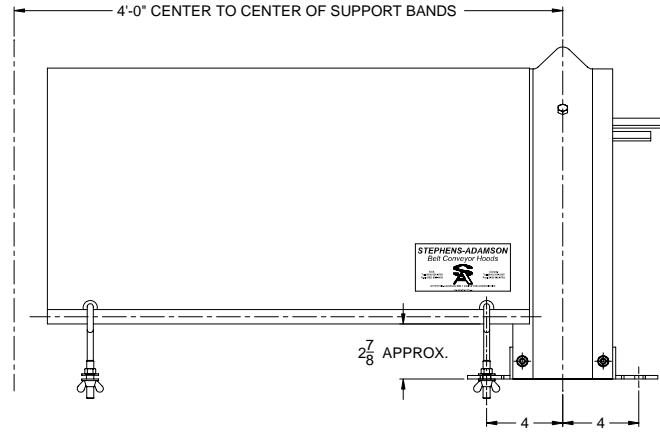
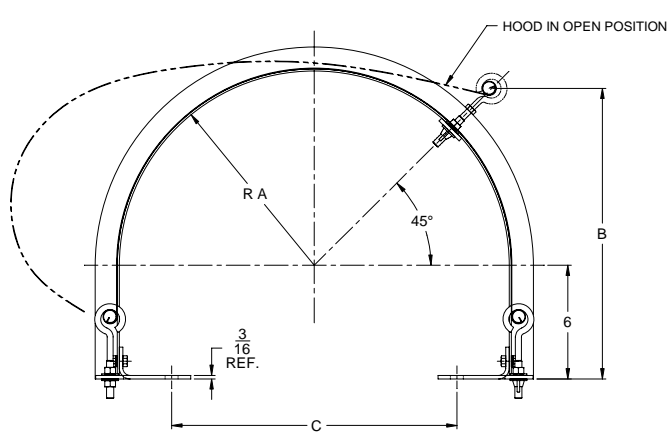
DS-E-HOD-00-001 A



Covers standard CEMA B, C, & D troughing idlers .
Use A-63 Style to cover standard CEMA E troughing idlers.
Check clearances on self-training idlers and all other idlers not to CEMA Standard 502-2004.

'Dimensions in Millimeters'

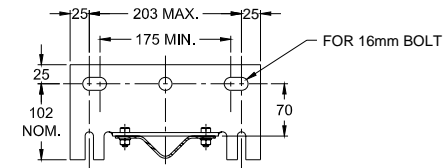
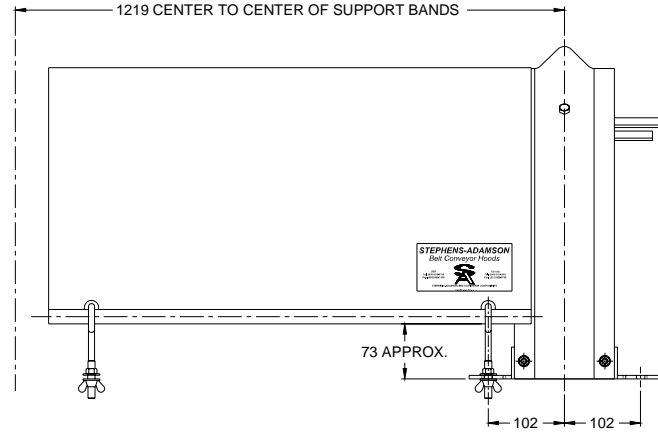
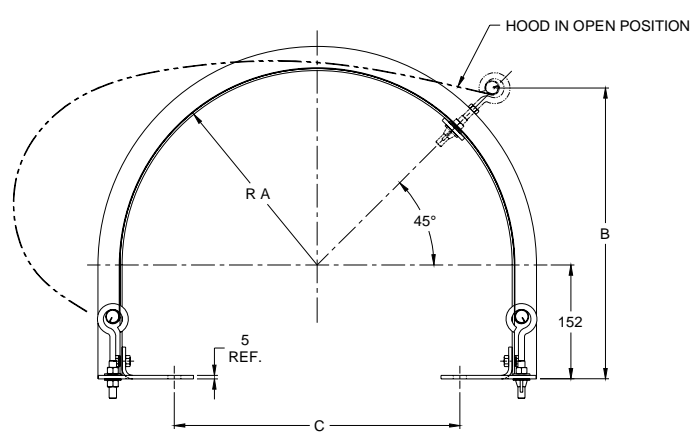
Belt Width	Part Number	A-1 Full Style Hood Dimensions			Weight
		A	B	C	
457 mm	MP-HOD01-002-A	413	495	686	22 kg.
508 mm	MP-HOD01-002-B	438	514	737	23 kg.
610 mm	MP-HOD01-002-C	489	549	838	25 kg.
762 mm	MP-HOD01-002-D	565	603	991	27 kg.
914 mm	MP-HOD01-002-E	641	657	1143	30 kg.
1067 mm	MP-HOD01-002-F	718	711	1295	35 kg.
1219 mm	MP-HOD01-002-G	794	765	1448	38 kg.
1372 mm	MP-HOD01-002-H	870	819	1600	41 kg.
1524 mm	MP-HOD01-002-J	946	873	1753	44 kg.
1829 mm	MP-HOD01-002-K	1099	1032	2057	50 kg.



Covers standard CEMA B, C, & D troughing idlers .
Use A-63 Style to cover standard CEMA E troughing idlers.
Check clearances on self-training idlers and all other idlers not to CEMA Standard 502-2004.

'Dimensions In Inches'

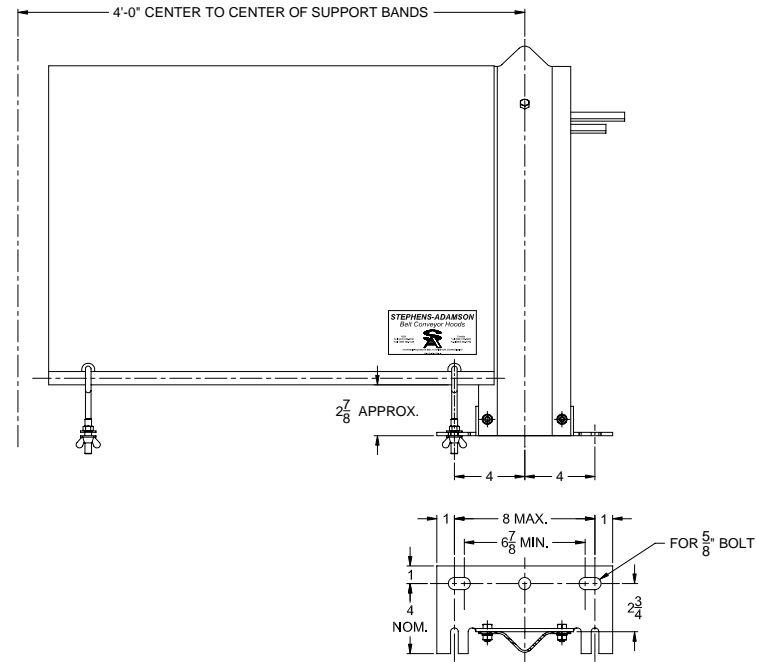
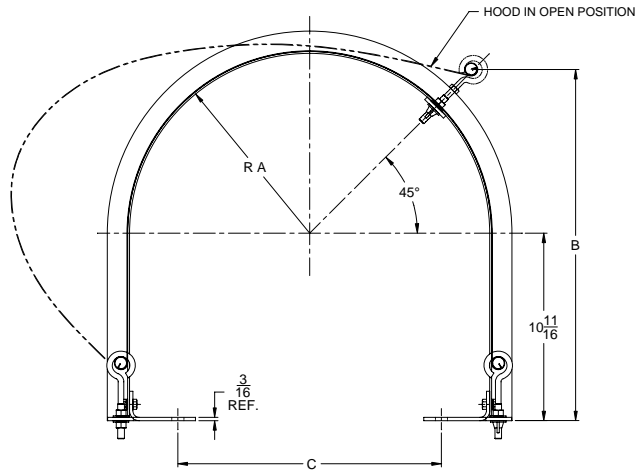
Belt Width	Part Number	A-1 Full Style Aluminum Hood Dimensions			Weight
		A	B	C	
18"	MP-HOD02-002-A	16-1/4	19-1/2	27	22 lbs.
20"	MP-HOD02-002-B	17-1/4	20-1/4	29	23 lbs.
24"	MP-HOD02-002-C	19-1/4	21-5/8	33	25 lbs.
30"	MP-HOD02-002-D	22-1/4	23-3/4	39	28 lbs.
36"	MP-HOD02-002-E	25-1/4	25-7/8	45	30 lbs.
42"	MP-HOD02-002-F	28-1/4	28	51	33 lbs.
48"	MP-HOD02-002-G	31-1/4	30-1/8	57	36 lbs.
54"	MP-HOD02-002-H	34-1/4	32-1/4	63	39 lbs.
60"	MP-HOD02-002-J	37-1/4	34-3/8	69	41 lbs.
72"	MP-HOD02-002-K	43-1/4	40-5/8	81	47 lbs.



Covers standard CEMA B, C, & D troughing idlers .
Use A-63 Style to cover standard CEMA E troughing idlers.
Check clearances on self-training idlers and all other idlers not to CEMA Standard 502-2004.

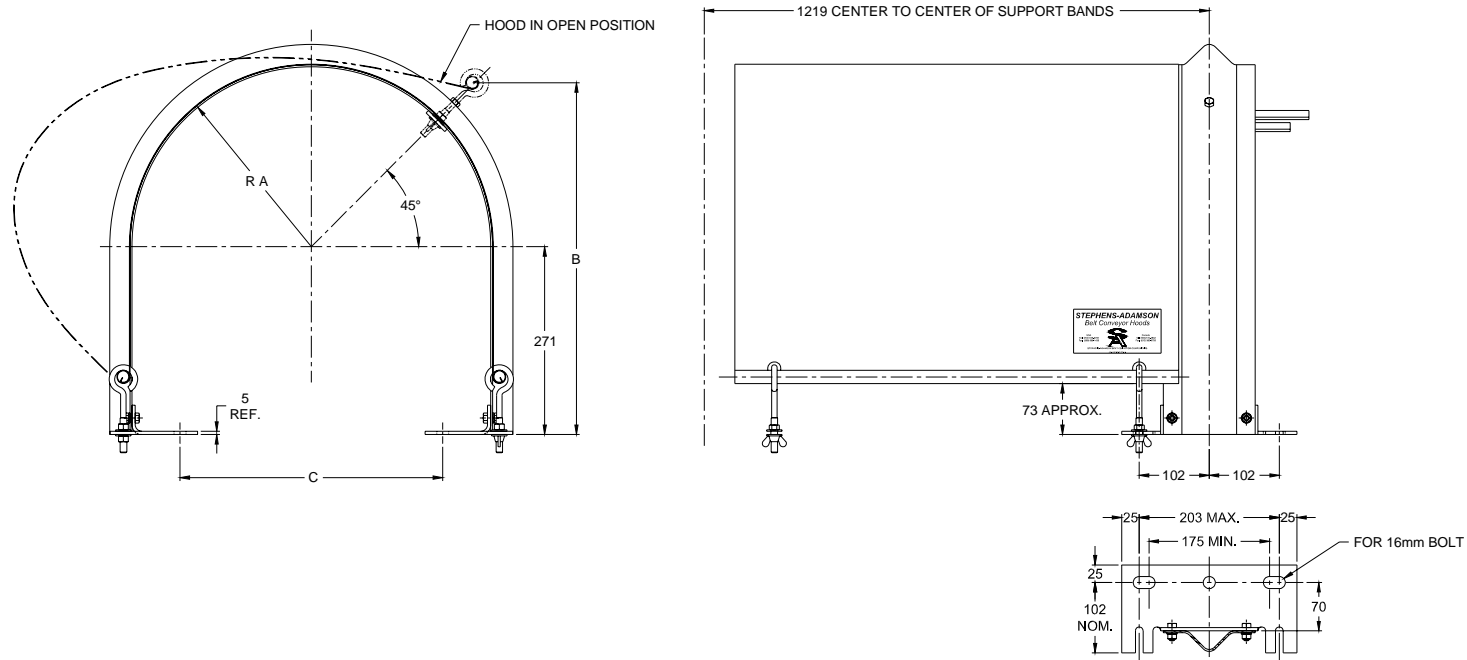
'Dimensions In Millimeters'

Belt Width	Part Number	A-1 Full Style Aluminum Hood Dimensions			Weight
		A	B	C	
457 mm	MP-HOD02-002-A	413	495	686	10 kg.
508 mm	MP-HOD02-002-B	438	514	737	10 kg.
610 mm	MP-HOD02-002-C	489	549	838	11 kg.
762 mm	MP-HOD02-002-D	565	603	991	13 kg.
914 mm	MP-HOD02-002-E	641	657	1143	14 kg.
1067 mm	MP-HOD02-002-F	718	711	1295	15 kg.
1219 mm	MP-HOD02-002-G	794	765	1448	16 kg.
1372 mm	MP-HOD02-002-H	870	819	1600	18 kg.
1524 mm	MP-HOD02-002-J	946	873	1753	19 kg.
1829 mm	MP-HOD02-002-K	1099	1032	2057	21 kg.



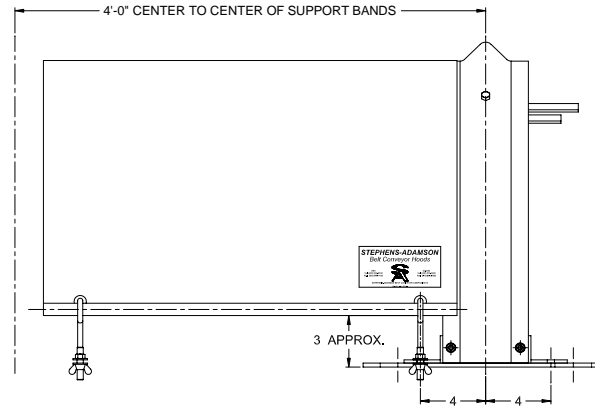
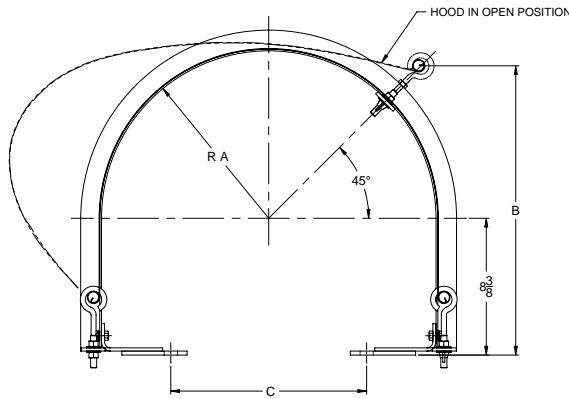
'Dimensions In Inches'

Belt Width	Part Number	A-60 Full Style Hood Dimensions			Weight
		A	B	C	
18"	MP-HOD03-001-A	16-1/4	27-7/8	27	55 lbs.
24"	MP-HOD03-001-B	19-1/4	24-1/8	33	60 lbs.
30"	MP-HOD03-001-C	22-1/4	26-5/16	39	66 lbs.
36"	MP-HOD03-001-D	25-1/4	28-7/16	45	78 lbs.
42"	MP-HOD03-001-E	28-1/4	30-5/8	51	84 lbs.
48"	MP-HOD03-001-F	31-1/4	33-1/8	57	90 lbs.
54"	MP-HOD03-001-G	34-1/4	34-7/8	63	97 lbs.
60"	MP-HOD03-001-H	37-1/4	37-13/16	69	103 lbs.

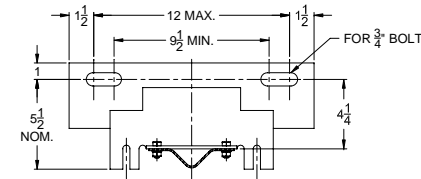


'Dimensions In Millimeters'

Belt Width	Part Number	A-60 Full Style Hood Dimensions			Weight
		A	B	C	
457 mm	MP-HOD03-001-A	413	708	686	25 kg.
610 mm	MP-HOD03-001-B	489	613	838	27 kg.
762 mm	MP-HOD03-001-C	565	668	991	30 kg.
914 mm	MP-HOD03-001-D	641	722	1143	35 kg.
1067 mm	MP-HOD03-001-E	718	778	1295	38 kg.
1219 mm	MP-HOD03-001-F	794	841	1448	41 kg.
1372 mm	MP-HOD03-001-G	870	886	1600	44 kg.
1524 mm	MP-HOD03-001-H	946	960	1753	47 kg.

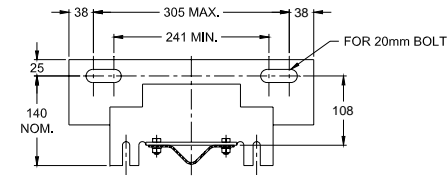
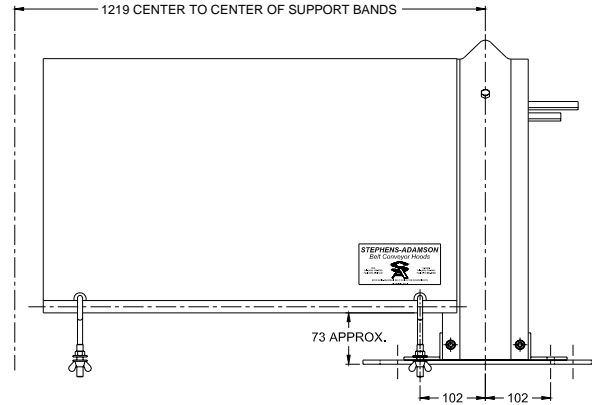
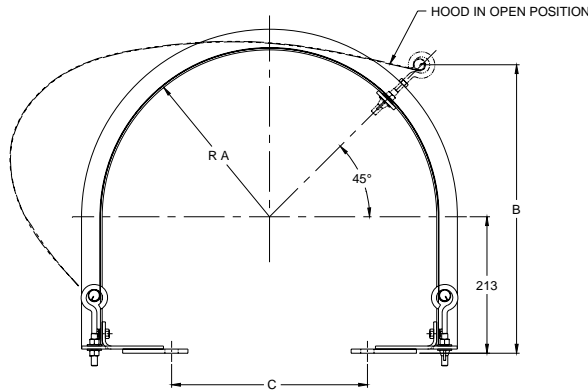


Covers standard CEMA E troughing idlers .
Use A-1 Style to cover standard CEMA B, C & D troughing idlers.
Check clearances on self-training idlers and all other idlers not to CEMA Standard 502-2004.



'Dimensions In Inches'

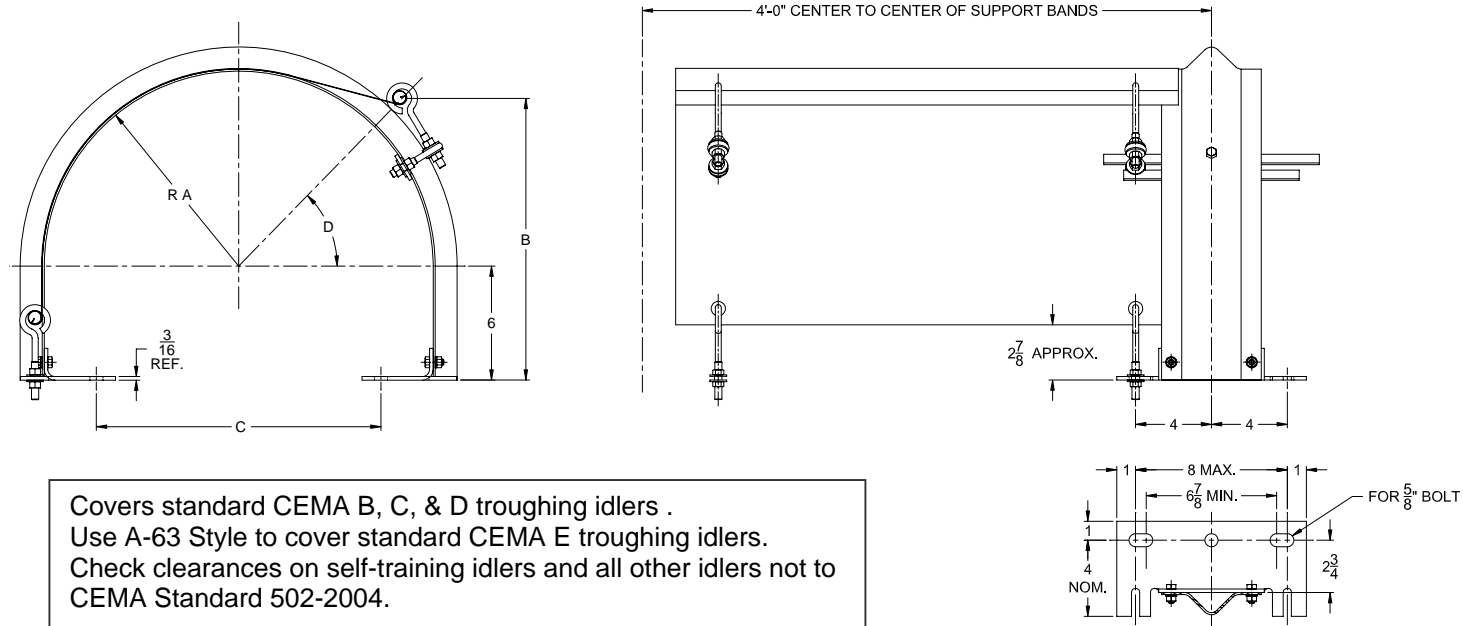
Belt Width	Part Number	A-63 Full Style Galvanized Hood Dimensions			Weight
		A	B	C	
36"	MP-HOD04-001-1	26-3/4	28-3/16	45	85 lbs.
42"	MP-HOD04-001-2	29-3/4	30-5/16	51	92 lbs.
48"	MP-HOD04-001-3	32-3/4	32-3/8	57	98 lbs.
54"	MP-HOD04-001-4	35-3/4	34-1/2	63	104 lbs.
60"	MP-HOD04-001-5	38-3/4	37-7/16	69	111 lbs.
72"	MP-HOD04-001-6	44-3/4	40-15/16	81	123 lbs.
84"	MP-HOD04-001-7	50-3/4	45-1/4	93	136 lbs.
96"	MP-HOD04-001-8	56-3/4	49-7/16	105	149 lbs.



Covers standard CEMA E troughing idlers .
Use A-1 Style to cover standard CEMA B, C & D troughing idlers.
Check clearances on self-training idlers and all other idlers not to CEMA Standard 502-2004.

'Dimensions In Millimeters'

Belt Width	Part Number	A-63 Full Style Galvanized Hood Dimensions			Weight
		A	B	C	
914 mm	MP-HOD04-001-1	679	716	1143	39 kg.
1067 mm	MP-HOD04-001-2	756	770	1295	42 kg.
1219 mm	MP-HOD04-001-3	832	822	1448	44 kg.
1372 mm	MP-HOD04-001-4	908	876	1600	47 kg.
1524 mm	MP-HOD04-001-5	984	951	1753	50 kg.
1829 mm	MP-HOD04-001-6	1137	1040	2057	56 kg.
2134 mm	MP-HOD04-001-7	1289	1149	2362	62 kg.
2438 mm	MP-HOD04-001-8	1441	1256	2667	68 kg.

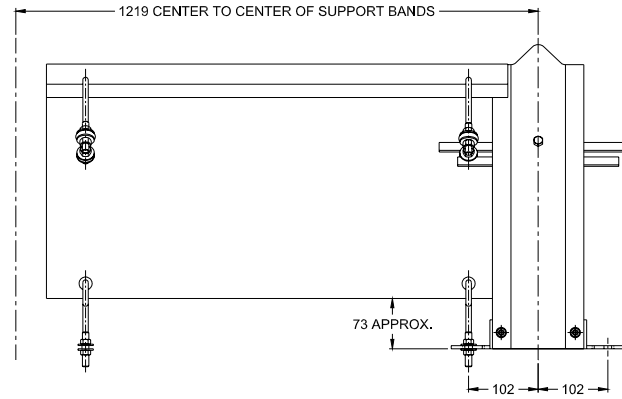
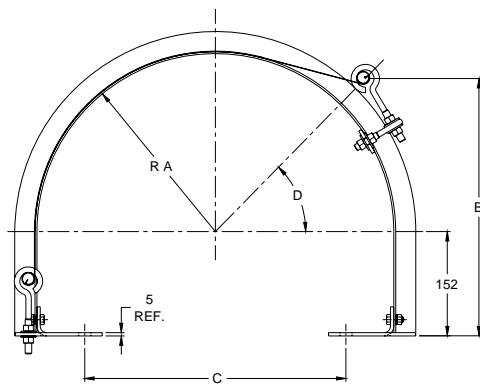


Covers standard CEMA B, C, & D troughing idlers .
Use A-63 Style to cover standard CEMA E troughing idlers.
Check clearances on self-training idlers and all other idlers not to
CEMA Standard 502-2004.

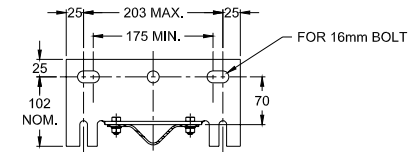
'Dimensions In Inches'

Belt Width	Part Number	A-1 3/4 Style Hood Dimensions				Weight
		A	B	C	D	
18"	MP-HOD01-004-A	16-1/4	17-1/2	27	45°	42 lbs.
20"	MP-HOD01-004-B	17-1/4	18-1/4	29	45°	44 lbs.
24"	MP-HOD01-004-C	19-1/4	19-5/8	33	45°	47 lbs.
30"	MP-HOD01-004-D	22-1/4	20-3/4	39	41°	52 lbs.
36"	MP-HOD01-004-E	25-1/4	25-1/2	45	50°	55 lbs.
42"	MP-HOD01-004-F	28-1/4	26	51	45°	67 lbs.
48"	MP-HOD01-004-G	31-1/4	28-3/4	57	46°	72 lbs.
54"	MP-HOD01-004-H	34-1/4	29-1/4	63	42°	78 lbs.
60"	MP-HOD01-004-J	37-1/4	29-5/8	69	39°	84 lbs.
72"	MP-HOD01-004-K	43-1/4	37-1/4	81	46°	93 lbs.

DS-E-HOD-00-002 A



Covers standard CEMA B, C, & D troughing idlers .
Use A-63 Style to cover standard CEMA E troughing idlers.
Check clearances on self-training idlers and all other idlers not to CEMA Standard 502-2004.



'Dimensions In Millimeters'

Belt Width	Part Number	A-1 3/4 Style Hood Dimensions				Weight
		A	B	C	D	
457 mm	MP-HOD01-004-A	413	445	686	45°	19 kg.
508 mm	MP-HOD01-004-B	438	464	737	45°	20 kg.
610 mm	MP-HOD01-004-C	489	498	838	45°	21 kg.
762 mm	MP-HOD01-004-D	565	527	991	41°	24 kg.
914 mm	MP-HOD01-004-E	641	648	1143	50°	25 kg.
1067 mm	MP-HOD01-004-F	718	660	1295	45°	30 kg.
1219 mm	MP-HOD01-004-G	794	730	1448	46°	32 kg.
1372 mm	MP-HOD01-004-H	870	743	1600	42°	35 kg.
1524 mm	MP-HOD01-004-J	946	752	1753	39°	38 kg.
1829 mm	MP-HOD01-004-K	1099	946	2057	46°	42 kg.

DS-E-HOD-00-002 A